

LEGEND

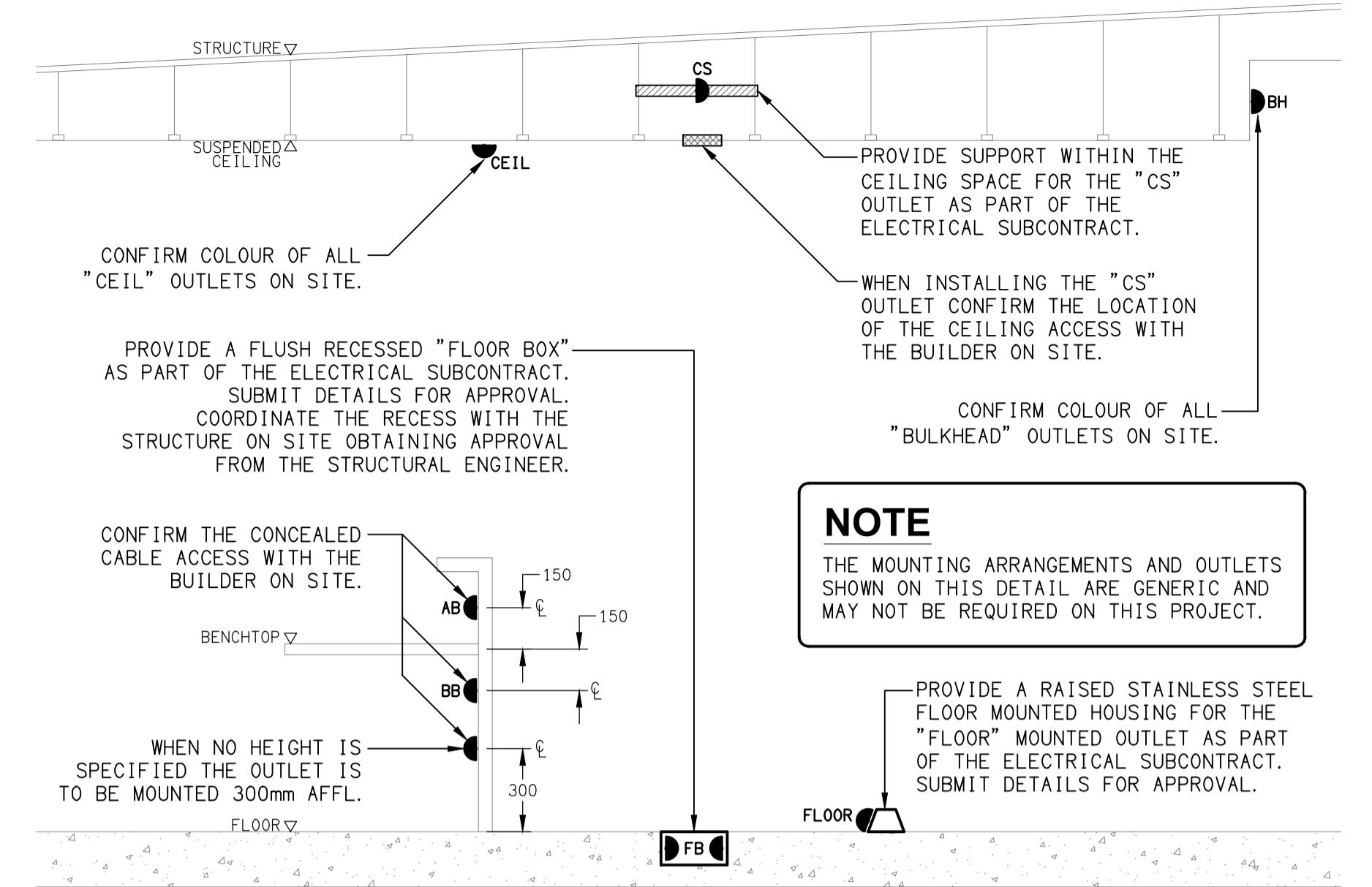
- ELECTRICAL SERVICES SWITCHBOARD.
- SWITCHBOARD / CONTROL PANEL NOT PROVIDED AS PART OF THE ELECTRICAL SUBCONTRACT.
- SINGLE POWER OUTLET.
- DOUBLE POWER OUTLET.
- DOUBLE POWER OUTLET C/W USB CHARGER.
- SPECIAL PURPOSE POWER OUTLET.
- SINGLE PHASE ISOLATOR.
- THREE PHASE ISOLATOR.
- JUNCTION BOX AS NOTED.
- ELECTRICAL CABLE TRAY, TYPE AS NOTED.
- CONDUIT ROUTE.
- ELECTRICAL PIT, TYPE AS NOTED.
- DRINK FOUNTAIN CONNECTION.
- HAND DRYER CONNECTION.
- LIGHTING PRESENCE DETECTOR SWITCH.
- ONE-WAY LIGHT SWITCH.
- TWO-WAY LIGHT SWITCH.
- CIRCUIT LINE.
- SWITCH LINE.
- POWER CIRCUIT DESIGNATION. DENOTES DB AND CIRCUIT.
- ELECTRICAL EQUIPMENT AS NOTED.
- FITTING / OUTLET TO BE BLACK IN COLOUR.
- FITTING / OUTLET TO BE SURFACE MOUNTED.
- OUTLET MOUNTED WITHIN RECESS KIT.
- CAT-6 UTP RJ45 COMMUNICATIONS OUTLET.
- CAT-6A STP RJ45 COMMUNICATIONS OUTLET.
- CAT-6 CCTV RJ45 PLUG, TYPE x.
- CAT-6 VAPE RJ45 PLUG.
- COMBINED FUSE SWITCH.
- CIRCUIT BREAKER.
- ISOLATOR.
- RESIDUAL CURRENT DEVICE.
- CONTACTOR - NORMALLY OPEN.
- CONTACTOR - NORMALLY CLOSED.

LEGEND

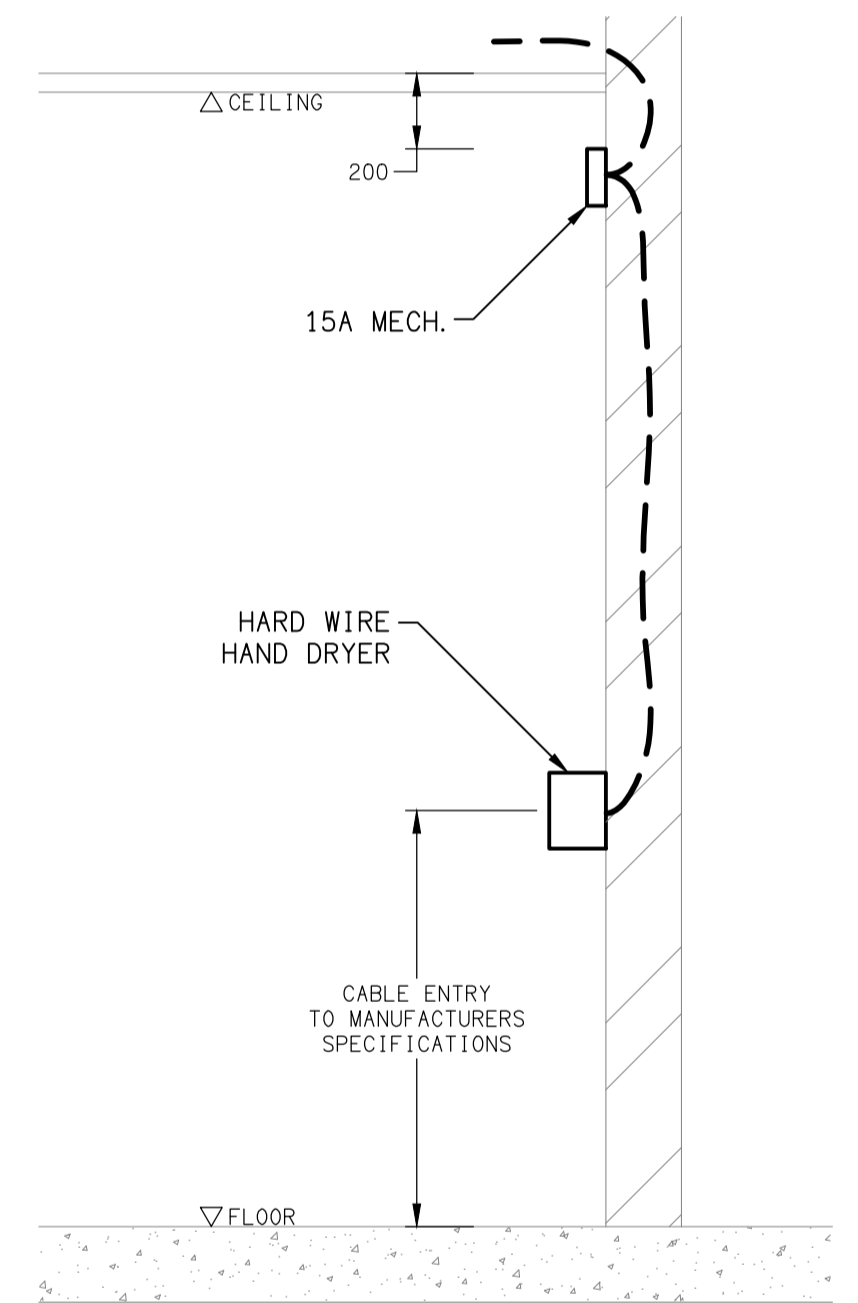
- E1: RECESSED LED EMERGENCY LIGHT, WHITE.
- E2: SURFACE MOUNTED LED EMERGENCY LIGHT, WHITE.
- E3: SURFACE CAN MOUNTED LED EMERGENCY LIGHT, BLACK.
- E4: SURFACE MOUNTED LED EMERGENCY LIGHT, BLACK.
- EX: EMERGENCY LED EXIT LIGHT, WHITE.
- EX BK: EMERGENCY LED EXIT LIGHT, BLACK.
- L1: 2400 LONG ROD SUSPENDED EXTRUSION LIGHT.
- L2: FLEXIBLE LED STRIP LIGHT MOUNTED IN THE CEILING PELMET.
- L3: CURVED ROD SUSPENDED EXTRUSION LIGHT.
- L4: SURFACE MOUNTED CAN DOWN LIGHT.
- L5: SURFACE MOUNTED BUNKER LIGHT.
- L6: RECESSED DOWNLIGHT.
- L7: SURFACE MOUNTED BUNKER LIGHT.
- L8: 600 x 600 SURFACE MOUNTED FLAT PLATE LED LIGHT WHITE.
- L9: RECESSED DOWNLIGHT.
- L10: RECESSED DOWNLIGHT.
- L11: 600 x 600 SURFACE MOUNTED FLAT PLATE LED LIGHT BLACK.
- L12: INGROUND UPLIGHT.
- L13: RECESSED DOWNLIGHT.
- L14: RECESSED DOWNLIGHT.
- L15: WALL BUNKER LIGHT.
- L16: 3600 LONG ROD SUSPENDED EXTRUSION LIGHT.
- L17: OVERHEAD CUPBOARD SPLASHBACK LED STRIP LIGHT.
- FIP: FIRE INDICATOR PANEL INCORPORATING THE EWCIE AND FDCIE.
- SURFACE MOUNTED ADDRESSABLE SMOKE DETECTOR.
- CONCEALED SPACE ADDRESSABLE SMOKE DETECTOR.
- ASPERATING SMOKE DETECTOR.
- MAGNETIC DOOR HOLDERS.
- DOOR RELEASE PUSH BUTTON.
- RECESSED EMERGENCY EVACUATION SPEAKER.
- WALL MOUNTED FIRE ALARM STROBE.
- PUBLIC ADDRESS RECESSED SPEAKER.
- PUBLIC ADDRESS HORN SPEAKER.

LEGEND

- M1: RETAIL METER.
- M2: PRIVATE MULTI FUNCTION METER.
- M3: NCC BCA PART J ENERGY METER.
- M4: SMART SOLAR ENERGY METER.
- MTS: MANUAL TRANSFER SWITCH.
- C1: GRID PROTECTION CONTACTOR.
- WPM: WIRELESS PROTECTION RELAY MASTER.
- WPR: WIRELESS PROTECTION RELAY SLAVE.
- MR: GRID PROTECTION MASTER RELAY.
- SR: GRID PROTECTION SLAVE RELAY.
- DL: SOLAR DATA LOGGER.
- GSD: SOLAR GENERATION SIGNALING DEVICE.
- REFER TO DETAIL NOTED FOR THE AREA SHOWN HATCHED. ADDITIONAL OUTLETS & FITTINGS MAY BE SHOWN ON DETAIL.
- FUSE.
- SINGLE PHASE.
- THREE PHASE.
- CURRENT TRANSFORMER C/W REMOVABLE LINK.
- FUSE LINK.



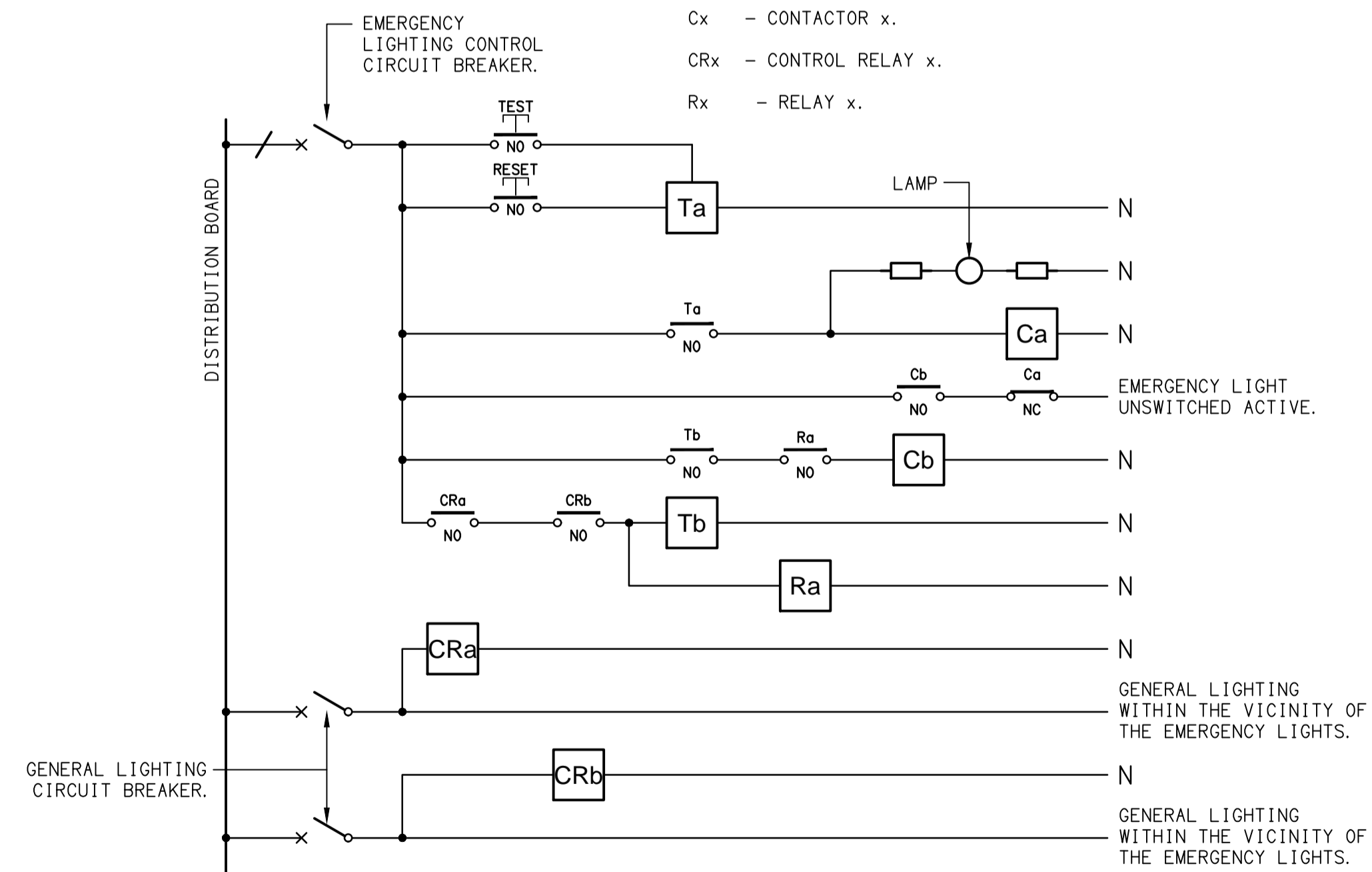
DETAIL
TYPICAL OUTLET MOUNTINGS
NOT TO SCALE



DETAIL
HAND DRYER CONNECTION
NOT TO SCALE

EQUIPMENT:

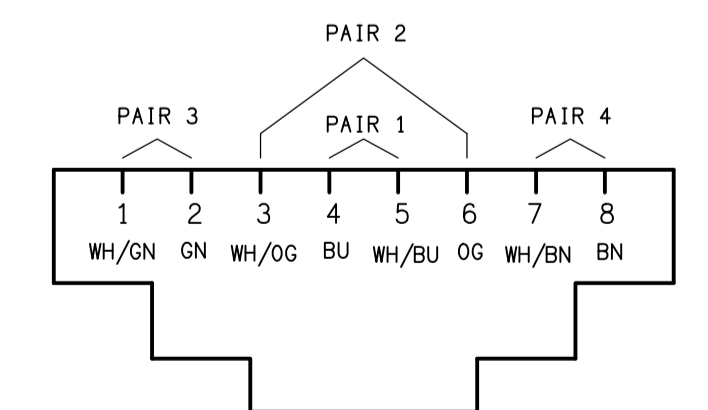
- TEST - TEST PUSH BUTTON MOUNTED ON THE DISTRIBUTION BOARD ESCUTCHEON.
- RESET - RESET PUSH BUTTON MOUNTED ON THE DISTRIBUTION BOARD ESCUTCHEON.
- LAMP - AMBER TEST INDICATING LAMP MOUNTED ON THE DISTRIBUTION BOARD ESCUTCHEON.
- Ta - ADJUSTABLE 0-3 HOUR TIMED RELAY.
- Tb - 15 MINUTE RUN-ON TIMER TO OPERATE UPON THE RETURN OF MAINS POWER.
- Cx - CONTACTOR x.
- CRx - CONTROL RELAY x.
- Rx - RELAY x.



SCHEMATIC
EMERGENCY LIGHTING
NOT TO SCALE

NOTES

1. THE EMERGENCY LIGHT UNSWITCHED ACTIVE / GENERAL LIGHTING SWITCHED ACTIVE CIRCUIT ARRANGEMENT AND CONTROL IS TYPICAL FOR ALL CIRCUITS SUPPLYING EMERGENCY LIGHTS.
2. PROVIDE ADDITIONAL CONTROL RELAYS (CRx) CONFIGURED AS PER CRa AND CRb FOR ALL ADDITIONAL LIGHTING CIRCUITS THAT SUPPLY LIGHTS IN THE VICINITY OF THE EMERGENCY LIGHTS.



SCHEMATIC
RJ45 PINOUT CONFIGURATION
NOT TO SCALE